



Connect • Contact • Control



UK Head Office

Independent Parts Specialists

Harris House Hortonwood 50 Telford
Shropshire TF1 7AA UK

T +44 (0) 1952 607660

F +44 (0) 1952 677216

E parts@iapsgroup.com

ipspartsonline.com

YOUR LOCAL DISTRIBUTOR:



ipspartsonline.com



DC Contactor Range Catalogue

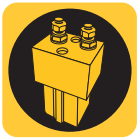


Contents



Part Number	Description	Page No.
AFS19	100 Amps Single Pole - Single Throw (Normally Open)	3
AFS14	100 Amps Single Pole - Single Throw (Normally Closed)	3
AFS17	100 Amps Double Pole - Single Throw	4
AFS177	100 Amps 4 Pole - Single Throw	5
AFS15	100 Amps Single Pole - Double Throw	6
AFS11	100 Amps Double Pole - Double Throw	7
AFS711	100 Amps Double Pole - Double Throw	8
AFS819	150 Amps Single Pole - Single Throw (Normally Open)	9
AFS814	150 Amps Single Pole - Single Throw (Normally Closed)	9
AFS818	150 Amps Single Pole - Double Throw	10
AFS817	150 Amps Double Pole - Double Throw	11
AFS809	150 Amps Double Pole - Double Throw	12
AFS717	150 Amps Double Pole - Double Throw	13
AFS807	150 Amps Four Pole - Single Throw	14
AFS799	250 Amps Single Pole - Single Throw (Normally Open)	15
AFS789	250 amps Single Pole - Single Throw (Normally Closed)	15
AFS798	250 Amps Single Pole - Double Throw	16
AFS797	250 Amps Double Pole - Double Throw	17
AFS784	250 Amps Single Pole - Double Throw - Changeover Contactor	18

All contactors are available in a range of configurations and options. The following data sheets give a comprehensive overview of the contactor types, the options available, dimensions and technical ratings.



AFS 19 | 100 Amps Single Pole Single Throw - Normally Open
AFS 14 | 100 Amps Single Pole - Single Throw - Normally Closed

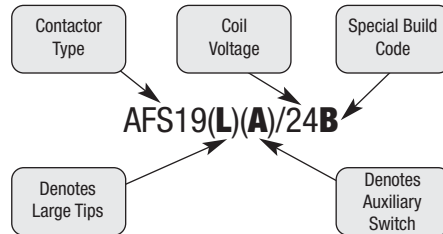


AFS 17 | 100 Amps Double Pole - Single Throw

Options:

1. Coil Voltages Range 12V - 120V
2. Large Contact Tips (optional denoted by **L**)
3. Auxiliary Switch (optional denoted by **A**)
4. Special Build Options (denoted by alpha numeric code)
 - Range of Brackets for Mounting
 - Suppression
 - Magnetic Blow-outs
 - Bespoke Arrangement Available
 - Male Terminals

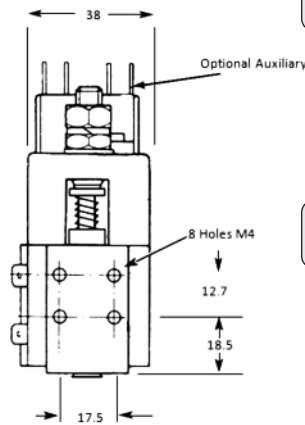
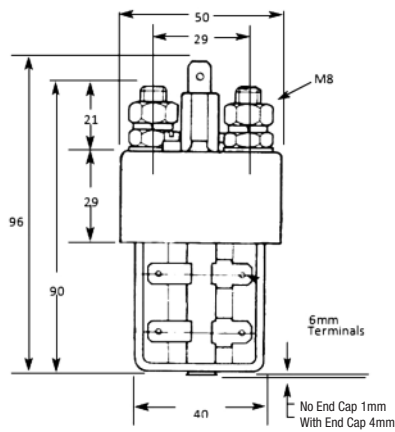
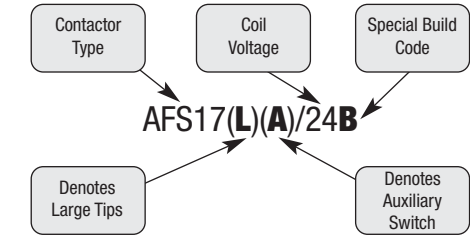
Part Number Example:



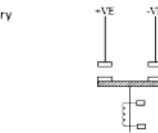
Options:

1. Coil Voltages Range 12V - 120V
2. Large Contact Tips (optional denoted by **L**)
3. Auxiliary Switch (optional denoted by **A**)
4. Special Build Options (denoted by alpha numeric code)
 - Range of Brackets for Mounting
 - Suppression
 - Bespoke Arrangement Available
 - Male Terminals

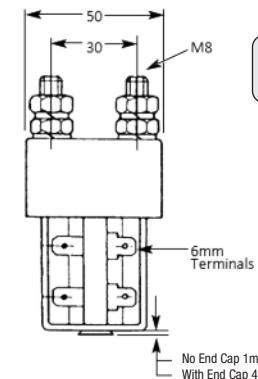
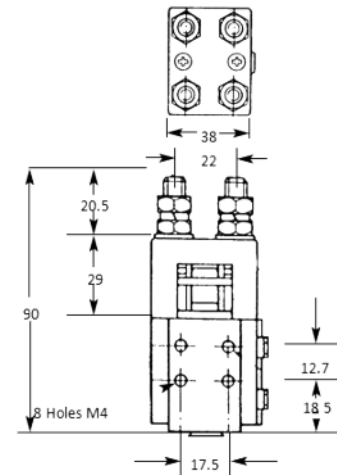
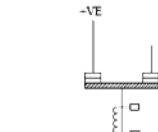
Part Number Example:



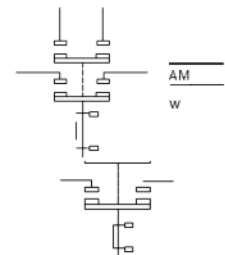
AFS19 Normally Open Single Pole - Single Throw



AFS14 Normally Closed Single Pole - Single Throw

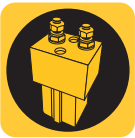


Circuit Diagram Double Pole - Single Throw



Current Rating	25% Duty Cycle	180A
	50% Duty Cycle	150A
	100% Duty Cycle	100A
Maximum Recommended Contact Voltage	No Blow-Outs	48V
	With Blow-Outs	96V
Maximum Pull-in Voltages	Intermittently Rated Coils	60% nominal
	Continuously Rated Coils	66% nominal
Typical Drop-Out Voltage		15% nominal

Current Rating	25% Duty Cycle	180A
	50% Duty Cycle	150A
	100% Duty Cycle	100A
Maximum Recommended Contact Voltage	No Blow-Outs	96V
	With Blow-Outs	NA
Maximum Pull-in Voltages	Intermittently Rated Coils	60% nominal
	Continuously Rated Coils	66% nominal
Typical Drop-Out Voltage		15% nominal



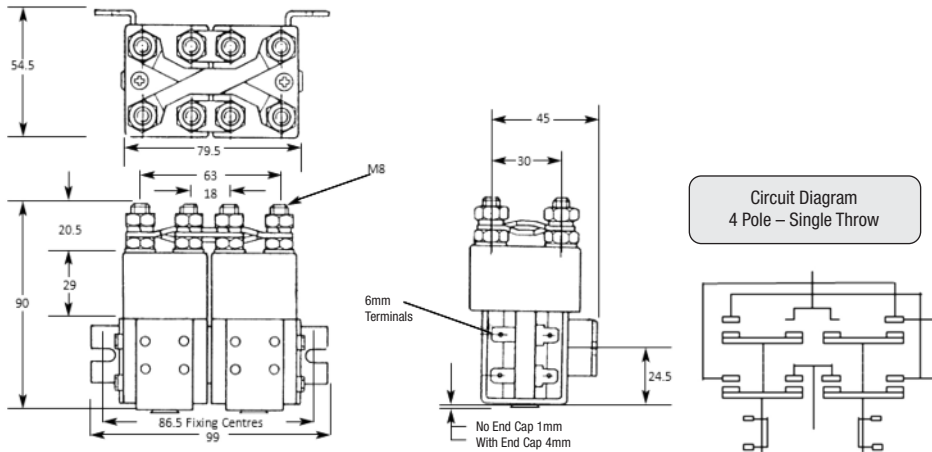
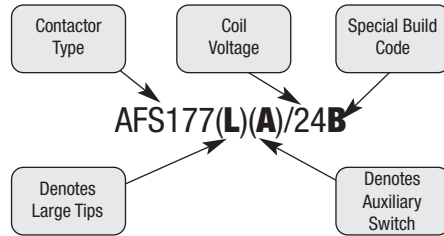
AFS 177 | 100 Amps 4 Pole - Single Throw



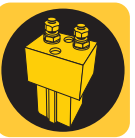
Options:

1. Coil Voltages Range 12V - 120V
2. Large Contact Tips (optional denoted by **L**)
3. Auxiliary Switch (optional denoted by **A**)
4. Special Build Options (denoted by alpha numeric code)
 - Range of Brackets for Mounting
 - Suppression
 - Bespoke Arrangement Available
 - Male Terminals
 - Standard includes bracket as shown

Part Number Example:



Current Rating	25% Duty Cycle	180A
	50% Duty Cycle	150A
	100% Duty Cycle	100A
Maximum Recommended Contact Voltage	No Blow-Outs	48V
	With Blow-Outs	NA
Maximum Pull-in Voltages	Intermittently Rated Coils	60% nominal
	Continuously Rated Coils	66% nominal
Typical Drop-Out Voltage		15% nominal



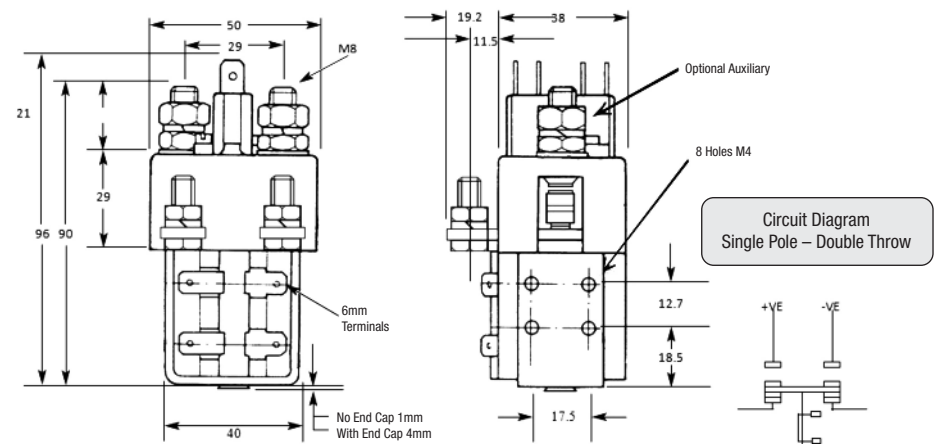
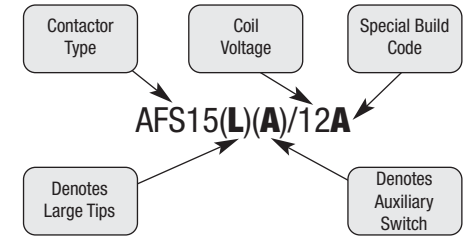
AFS 15 | 100 Amps Single Pole - Double Throw



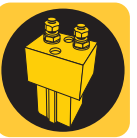
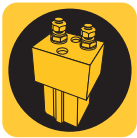
Options:

1. Coil Voltages Range 12V - 120V
2. Large Contact Tips (optional denoted by **L**)
3. Auxiliary Switch (optional denoted by **A**)
4. Special Build Options (denoted by alpha numeric code)
 - Range of Brackets for Mounting
 - Suppression
 - Magnetic Blow-outs
 - Bespoke Arrangement Available
 - Male Terminals

Part Number Example:



Current Rating	25% Duty Cycle	180A
	50% Duty Cycle	150A
	100% Duty Cycle	100A
Maximum Recommended Contact Voltage	No Blow-Outs	48V
	With Blow-Outs	96V
Maximum Pull-in Voltages	Intermittently Rated Coils	60% nominal
	Continuously Rated Coils	66% nominal
Typical Drop-Out Voltage		15% nominal

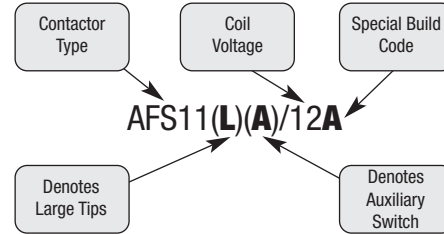


Options:

1. Coil Voltages Range 12V - 120V
2. Large Contact Tips (optional denoted by **L**)
3. Auxiliary Switch (optional denoted by **A**)
4. Special Build Options (denoted by alpha numeric code)
 - Range of Brackets for Mounting
 - Suppression
 - Magnetic Blow-outs
 - Bespoke Arrangement Available
 - Male Terminals

AFS 11 Interchangeable with AFS 711

Part Number Example:

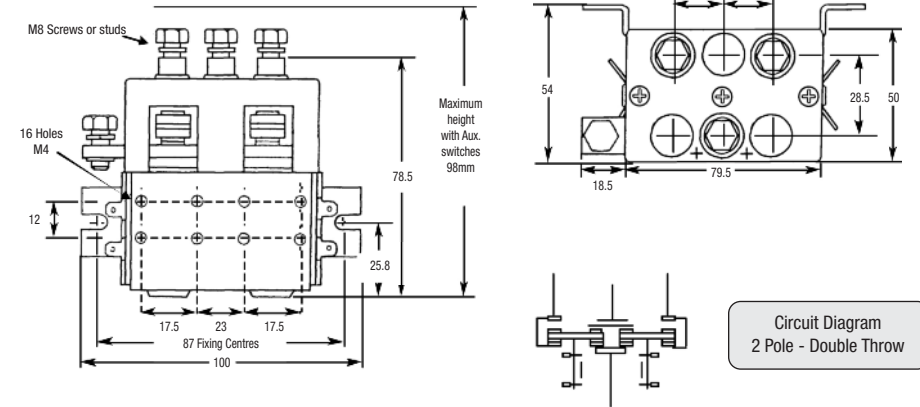
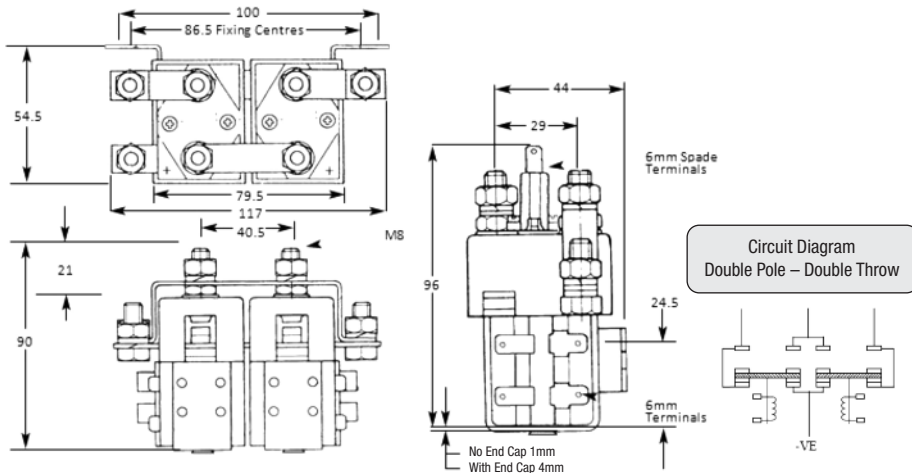
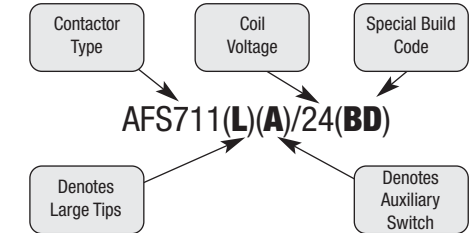


Options:

1. Coil Voltages Range 12V - 120V
2. Large Contact Tips (optional denoted by **L**)
3. Auxiliary Switch (optional denoted by **A**)
4. Special Build Options (denoted by alpha numeric code)
 - Range of Brackets for Mounting
 - Suppression
 - Magnetic Blow-outs
 - Bespoke Arrangement Available
 - Male Terminals

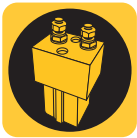
AFS 711 Interchangeable with AFS 11

Part Number Example:



Current Rating	25% Duty Cycle	180A
	50% Duty Cycle	150A
	100% Duty Cycle	100A
Maximum Recommended Contact Voltage	No Blow-Outs	48V
	With Blow-Outs	96V
Maximum Pull-in Voltages	Intermittently Rated Coils	60% nominal
	Continuously Rated Coils	66% nominal
Typical Drop-Out Voltage		15% nominal

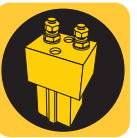
Current Rating	25% Duty Cycle	180A
	50% Duty Cycle	150A
	100% Duty Cycle	100A
Maximum Recommended Contact Voltage	No Blow-Outs	48V
	With Blow-Outs	96V
Maximum Pull-in Voltages	Intermittently Rated Coils	60% nominal
	Continuously Rated Coils	66% nominal
Typical Drop-Out Voltage		15% nominal



AFS 819 | 150 Amps Single Pole - Single Throw - Normally Open
AFS 814 | 150 Amps Single Pole - Single Throw - Normally Closed



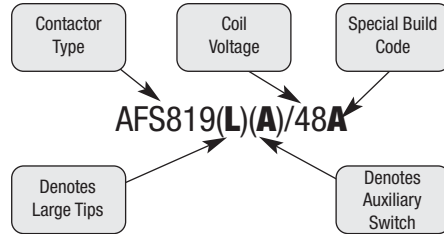
AFS 818 | 150 Amps Single Pole - Double Throw



Options:

1. Coil Voltages Range 12V - 120V
2. Large Contact Tips (optional denoted by **L**)
3. Auxiliary Switch (optional denoted by **A**)
4. Special Build Options (denoted by alpha numeric code)
 - Range of Brackets for Mounting
 - Suppression
 - Magnetic Blow-outs
 - Bespoke Arrangement Available
 - Male Terminals

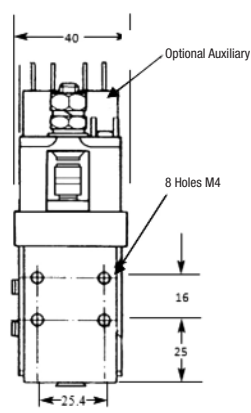
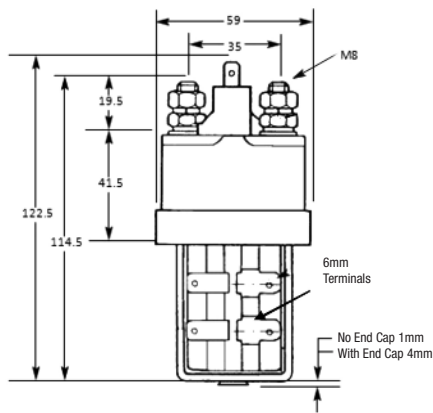
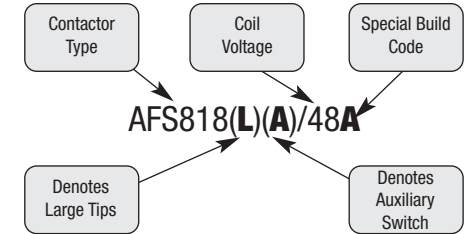
Part Number Example:



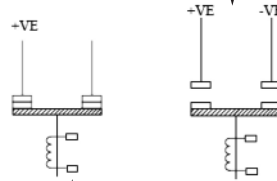
Options:

1. Coil Voltages Range 12V - 120V
2. Large Contact Tips (optional denoted by **L**)
3. Auxiliary Switch (optional denoted by **A**)
4. Special Build Options (denoted by alpha numeric code)
 - Range of Brackets for Mounting
 - Suppression
 - Magnetic Blow-outs
 - Bespoke Arrangement Available
 - Male Terminals

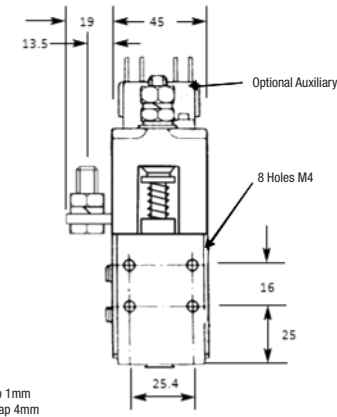
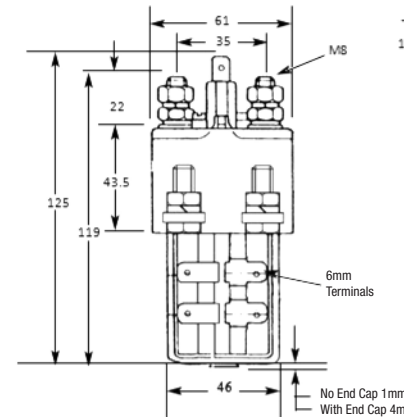
Part Number Example:



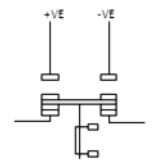
Circuit Diagram AFS819 Single Pole - Single Throw Normally Open



Circuit Diagram AFS819 Single Pole - Single Throw Normally Closed

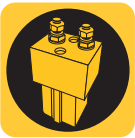


Circuit Diagram Single Pole - Double Throw



Current Rating	25% Duty Cycle	275A
	50% Duty Cycle	225A
	100% Duty Cycle	150A
Maximum Recommended Contact Voltage	No Blow-Outs	48V
	With Blow-Outs	96V
Maximum Pull-in Voltages	Intermittently Rated Coils	60% nominal
	Continuously Rated Coils	66% nominal
Typical Drop-Out Voltage		15% nominal

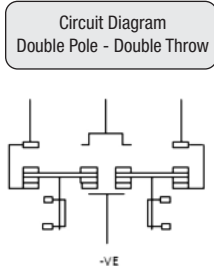
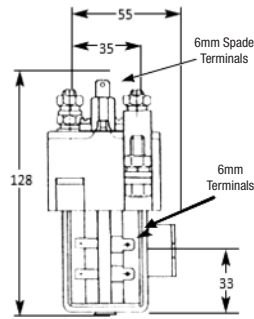
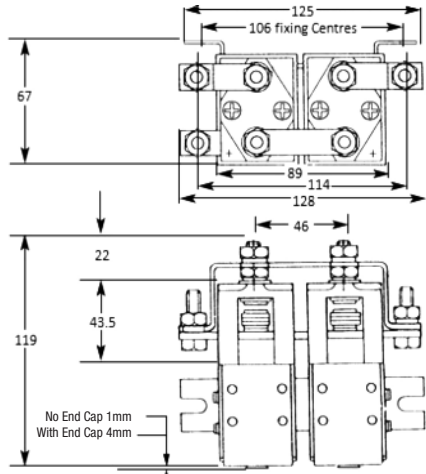
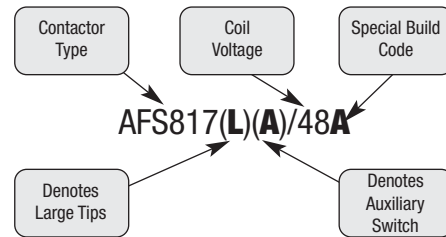
Current Rating	25% Duty Cycle	275A
	50% Duty Cycle	225A
	100% Duty Cycle	150A
Maximum Recommended Contact Voltage	No Blow-Outs	48V
	With Blow-Outs	96V
Maximum Pull-in Voltages	Intermittently Rated Coils	60% nominal
	Continuously Rated Coils	66% nominal
Typical Drop-Out Voltage		15% nominal



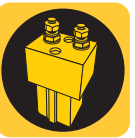
Options:

1. Coil Voltages Range 12V - 120V
2. Large Contact Tips (optional denoted by **L**)
3. Auxiliary Switch (optional denoted by **A**)
4. Special Build Options (denoted by alpha numeric code)
 - Range of Brackets for Mounting
 - Suppression
 - Magnetic Blow-outs
 - Bespoke Arrangement Available
 - Male Terminals
 - Standard build includes bracket shown

Part Number Example:



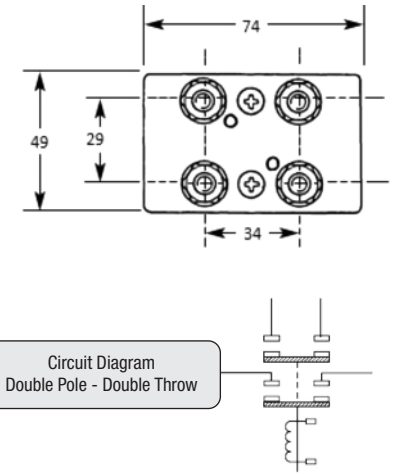
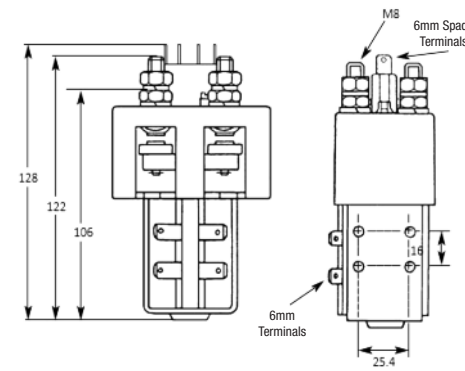
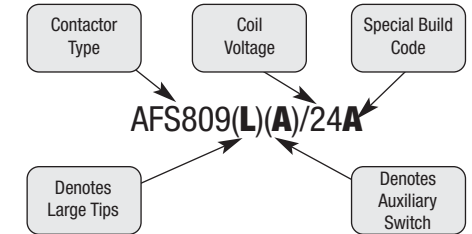
Current Rating	25% Duty Cycle	275A
	50% Duty Cycle	225A
	100% Duty Cycle	150A
Maximum Recommended Contact Voltage	No Blow-Outs	48V
	With Blow-Outs	96V
Maximum Pull-in Voltages	Intermittently Rated Coils	60% nominal
	Continuously Rated Coils	66% nominal
Typical Drop-Out Voltage		15% nominal



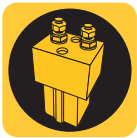
Options:

1. Coil Voltages Range 12V - 120V
2. Large Contact Tips (optional denoted by **L**)
3. Auxiliary Switch (optional denoted by **A**)
4. Special Build Options (denoted by alpha numeric code)
 - Range of Brackets for Mounting
 - Suppression
 - Magnetic Blow-outs
 - Bespoke Arrangement Available
 - Male Terminals

Part Number Example:



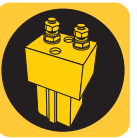
Current Rating	25% Duty Cycle	275A
	50% Duty Cycle	225A
	100% Duty Cycle	150A
Maximum Recommended Contact Voltage	No Blow-Outs	48V
	With Blow-Outs	96V
Maximum Pull-in Voltages	Intermittently Rated Coils	60% nominal
	Continuously Rated Coils	66% nominal
Typical Drop-Out Voltage		15% nominal



AFS 717 | 150 Amps Double Pole - Double Throw



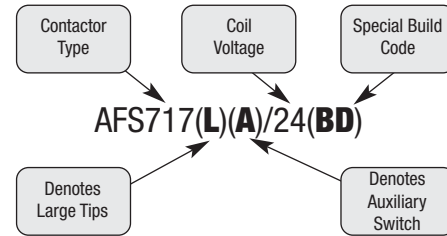
AFS 807 | 150 Amps Four Pole - Single Throw



Options:

1. Coil Voltages Range 12V - 120V
2. Large Contact Tips (optional denoted by **L**)
3. Auxiliary Switch (optional denoted by **A**)
4. Special Build Options (denoted by alpha numeric code)
 - Range of Brackets for Mounting
 - Suppression
 - Magnetic Blow-outs
 - Bespoke Arrangement Available
 - Male Terminals

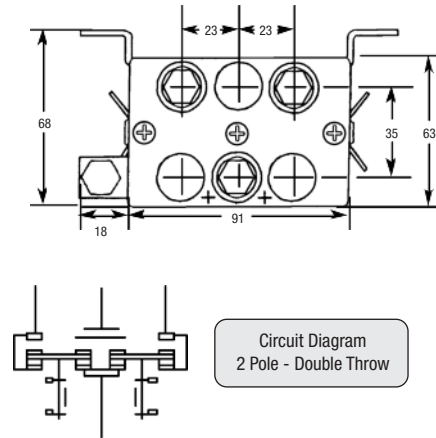
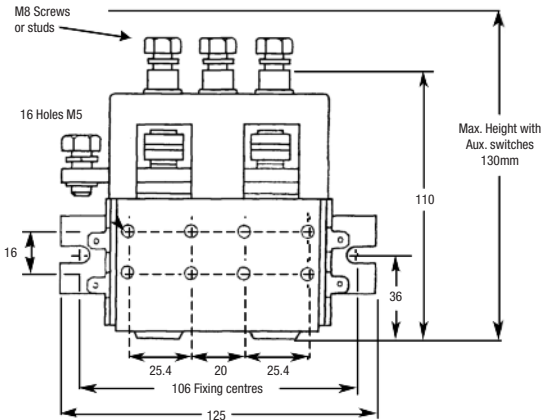
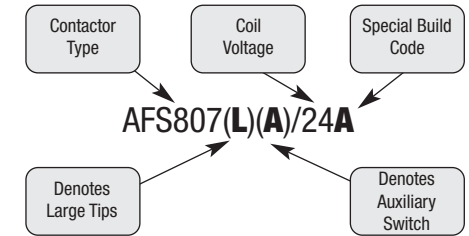
Part Number Example:



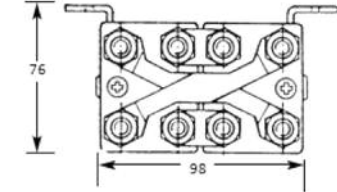
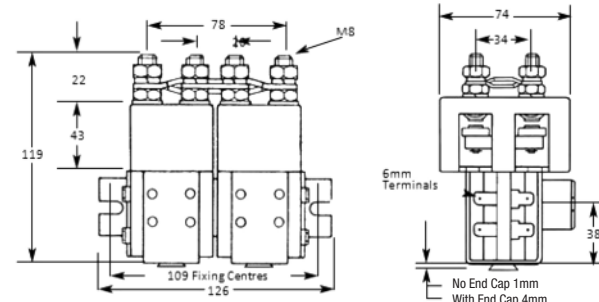
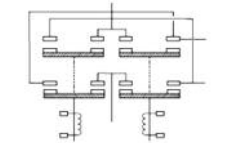
Options:

1. Coil Voltages Range 12V - 120V
2. Large Contact Tips (optional denoted by **L**)
3. Auxiliary Switch (optional denoted by **A**)
4. Special Build Options (denoted by alpha numeric code)
 - Range of Brackets for Mounting
 - Suppression
 - Magnetic Blow-outs
 - Bespoke Arrangement Available
 - Male Terminals
 - Different Link Arrangements Available
 - Standard Build Includes Bracket Shown

Part Number Example:

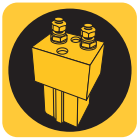


Circuit Diagram Four Pole - Single Throw



Current Rating	25% Duty Cycle	275A
	50% Duty Cycle	225A
	100% Duty Cycle	150A
Maximum Recommended Contact Voltage	No Blow-Outs	48V
	With Blow-Outs	96V
Maximum Pull-in Voltages	Intermittently Rated Coils	60% nominal
	Continuously Rated Coils	66% nominal
Typical Drop-Out Voltage		15% nominal

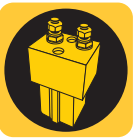
Current Rating	25% Duty Cycle	275A
	50% Duty Cycle	225A
	100% Duty Cycle	150A
Maximum Recommended Contact Voltage	No Blow-Outs	48V
	With Blow-Outs	96V
Maximum Pull-in Voltages	Intermittently Rated Coils	60% nominal
	Continuously Rated Coils	66% nominal
Typical Drop-Out Voltage		15% nominal



AFS 799 | 250 Amps Single Pole - Single Throw - Normally Open
AFS 789 | 250 Amps Single Pole - Single Throw - Normally Closed



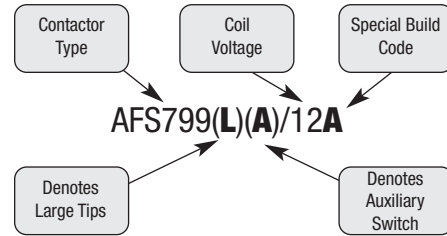
AFS 798 | 250 Amps Single Pole - Double Throw



Options:

1. Coil Voltages Range 12V - 120V
2. Large Contact Tips (optional denoted by **L**)
3. Auxiliary Switch (optional denoted by **A**)
4. Special Build Options (denoted by alpha numeric code)
 - Range of Brackets for Mounting
 - Suppression
 - Magnetic Blow-outs
 - Bespoke Arrangement Available
 - Male Terminals

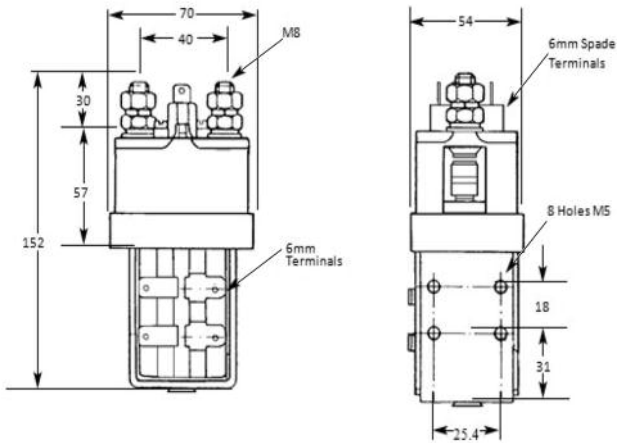
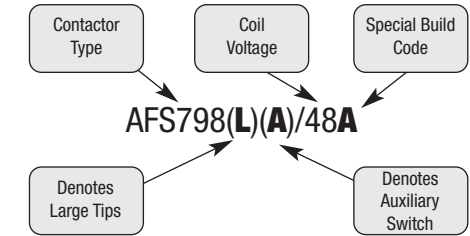
Part Number Example:



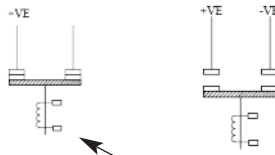
Options:

1. Coil Voltages Range 12V - 120V
2. Large Contact Tips (optional denoted by **L**)
3. Auxiliary Switch (optional denoted by **A**)
4. Special Build Options (denoted by alpha numeric code)
 - Range of Brackets for Mounting
 - Suppression
 - Magnetic Blow-outs
 - Bespoke Arrangement Available
 - Male Terminals

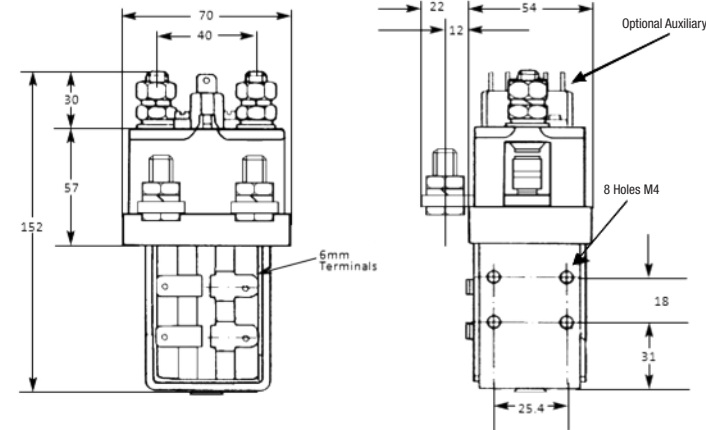
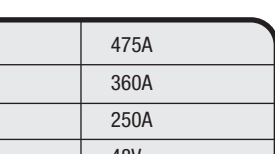
Part Number Example:



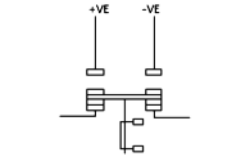
Circuit Diagram AFS 799
Single Pole - Single Throw
Normally Open



Circuit Diagram AFS 789
Single Pole - Single Throw
Normally Closed

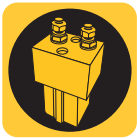


Circuit Diagram
Single Pole - Double Throw



Current Rating	25% Duty Cycle	475A
	50% Duty Cycle	360A
	100% Duty Cycle	250A
Maximum Recommended Contact Voltage	No Blow-Outs	48V
	With Blow-Outs	80V
Maximum Pull-in Voltages	Intermittently Rated Coils	60% nominal
	Continuously Rated Coils	66% nominal
Typical Drop-Out Voltage		15% nominal

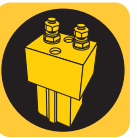
Current Rating	25% Duty Cycle	475A
	50% Duty Cycle	360A
	100% Duty Cycle	250A
Maximum Recommended Contact Voltage	No Blow-Outs	48V
	With Blow-Outs	80V
Maximum Pull-in Voltages	Intermittently Rated Coils	60% nominal
	Continuously Rated Coils	66% nominal
Typical Drop-Out Voltage		15% nominal



AFS 797 | 250 Amps Double Pole - Double Throw



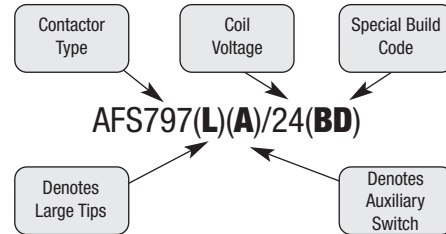
AFS 784 | 250 Amps Single Pole - Double Throw Changeover Contactor



Options:

1. Coil Voltages Range 12V - 120V
2. Large Contact Tips (optional denoted by **L**)
3. Auxiliary Switch (optional denoted by **A**)
4. Special Build Options (denoted by alpha numeric code)
 - Range of Brackets for Mounting
 - Suppression
 - Magnetic Blow-outs
 - Bespoke Arrangement Available
 - Standard Build Includes Bracket Shown

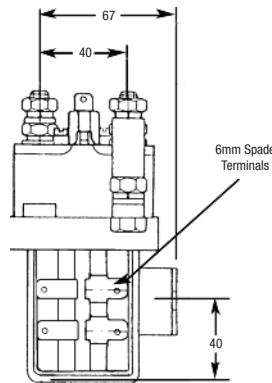
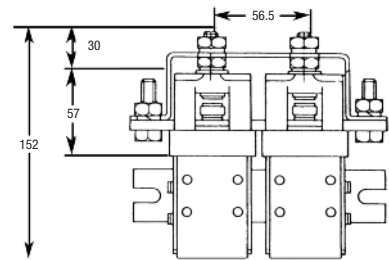
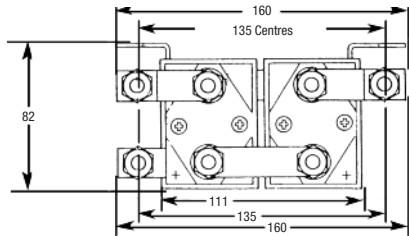
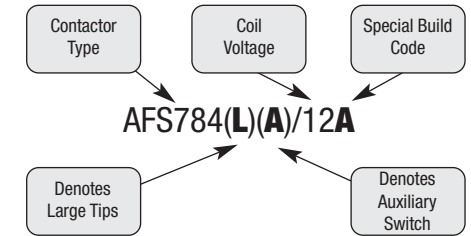
Part Number Example:



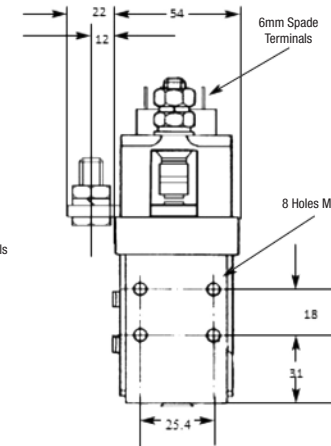
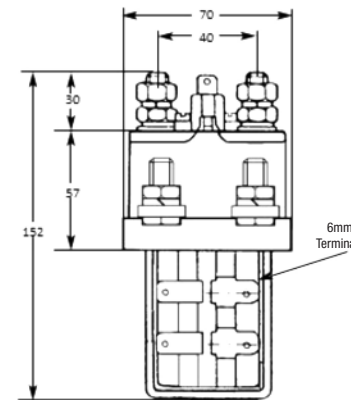
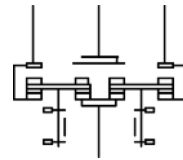
Options:

1. Coil Voltages Range 12V - 120V
2. Large Contact Tips (optional denoted by **L**)
3. Auxiliary Switch (optional denoted by **A**)
4. Special Build Options (denoted by alpha numeric code)
 - Range of Brackets for Mounting
 - Suppression
 - Magnetic Blow-outs
 - Bespoke Arrangement Available
 - Male Terminals

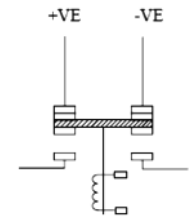
Part Number Example:



Circuit Diagram Double Pole - Double Throw



Circuit Diagram Single Pole - Double Throw Changeover Contactor



Current Rating	25% Duty Cycle	475A
	50% Duty Cycle	360A
	100% Duty Cycle	250A
Maximum Recommended Contact Voltage	No Blow-Outs	48V
	With Blow-Outs	80V
Maximum Pull-in Voltages	Intermittently Rated Coils	60% nominal
	Continuously Rated Coils	66% nominal
Typical Drop-Out Voltage		15% nominal

Current Rating	25% Duty Cycle	475A
	50% Duty Cycle	360A
	100% Duty Cycle	250A
Maximum Recommended Contact Voltage	No Blow-Outs	48V
	With Blow-Outs	80V
Maximum Pull-in Voltages	Intermittently Rated Coils	60% nominal
	Continuously Rated Coils	66% nominal
Typical Drop-Out Voltage		15% nominal